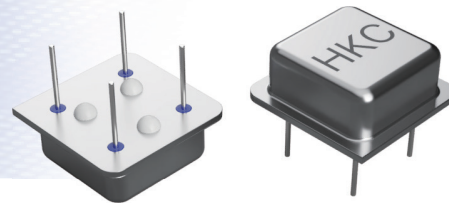




## Crystal Clock Oscillator - Half Size 8DIP Series

Model CH Half Size



**Frequency Range** : 1.00MHz to 100.00MHz

### Features :

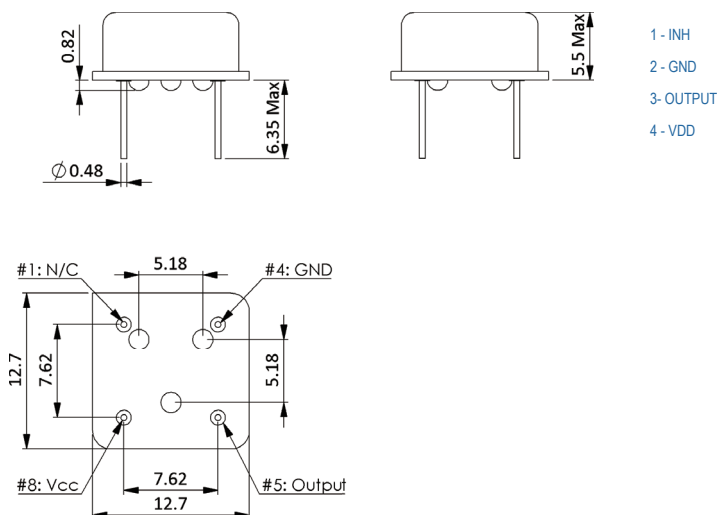
- High reliability & low cost unit
- Tight stability & extended temperature available
- Lead-free type
- For automotive applications, please contact our sales representatives

QUARTZ  
CRYSTALS

### Standard Specifications

Item	Value												
Frequency Range	1.00MHz to 100.00MHz												
Frequency Stability	±50ppm (or specify)												
Operating Temperature Range	-20°C to +70°C (or specify)												
Operable Temperature Range	-40°C to +85°C												
Operating Voltage	1.8V / 3.3V / 5.0V ±10%												
Output Type	HCMOS												
Output Load	15pF Max.												
Current Consumption (Max)	<table border="1"> <thead> <tr> <th>1.8V:</th> <th>3.3V</th> <th>5.0V</th> </tr> </thead> <tbody> <tr> <td>1-16MHz: 6mA</td> <td>1-16MHz: 7mA</td> <td>1-16MHz: 23mA</td> </tr> <tr> <td>17-80MHz: 15mA</td> <td>17-80MHz: 38mA</td> <td>17-80MHz: 35mA</td> </tr> <tr> <td>81-100MHz: 25mA</td> <td>81-100MHz: 65mA</td> <td>81-100MHz: 80mA</td> </tr> </tbody> </table>	1.8V:	3.3V	5.0V	1-16MHz: 6mA	1-16MHz: 7mA	1-16MHz: 23mA	17-80MHz: 15mA	17-80MHz: 38mA	17-80MHz: 35mA	81-100MHz: 25mA	81-100MHz: 65mA	81-100MHz: 80mA
1.8V:	3.3V	5.0V											
1-16MHz: 6mA	1-16MHz: 7mA	1-16MHz: 23mA											
17-80MHz: 15mA	17-80MHz: 38mA	17-80MHz: 35mA											
81-100MHz: 25mA	81-100MHz: 65mA	81-100MHz: 80mA											
Output Symmetry	HCMOS: 40~60%(at 50%V <sub>DD</sub> ) ; 45~55% is available												
"High" Output Voltage	HCMOS: 90%V <sub>DD</sub> Min.												
"Low" Output Voltage	HCMOS: 10%V <sub>DD</sub> Max.												
Rise and Fall Time	5ns Max.												
Tri-State	Yes												

### Dimension



Note :

1. Manufacturer reserves the right to change the specification and content of this product for improvement without notification.
2. Custom specification is welcome. Please contact our sales representative for further details.
3. If the crystal is intended for applications which have direct impact on human life and properties, and require a high degree of reliability and safety concerns, customers must provide full information such as but not limit to the application, electrical and reliability specification at the inquiry beginning stage.
4. Customers have to agree to the "Guideline for handling crystal units" and "Standard Terms and Condition of Sales" which is printed this catalog before placing orders to our company or our distributors. There are also unpredictable factors such as applied condition, oscillation margin and etc and customers must check them beforehand. In case of queries, please do not fail to send inquiry to our company before ordering.

Ver 1.1

